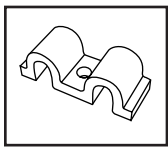
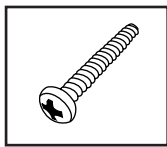


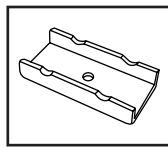
Walmaster Grid Mounting Instructions



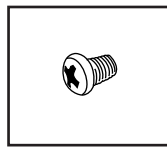
Wall-Mount Bracket



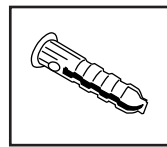
Wall-Mount Bracket Screw



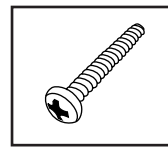
Connecting Plate (optional)



Connecting Plate Screw (optional)



Wall Anchor (optional)



Wall Anchor Screw (optional)

Parts List

Part Name	Quantity for				
	SL1515	SL1524	SL1536	SL1548	SL1560
Grid Panel	15"w	24"w	36"w	48"w	60"w
Wall-Mount Bracket	4	4	4	8	8
Wall-Mount Bracket Screw	4	4	4	8	8
Wall Anchors (optional)	4	4	4	8	8
Wall Anchor Screw (optional)	4	4	4	8	8
Connecting Plate (optional)	2	2	2	4	4
Connecting Plate Screw (optional)	2	2	2	4	4

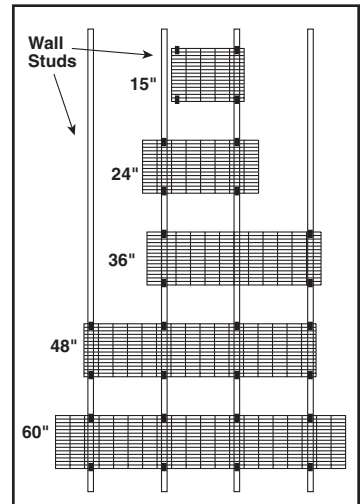


fig. 1

Mounting Walmaster Grid Panels to a Wall:

1. Due to the weight of a Panel loaded with accessories and supplies, **we recommend installation by attaching Wall-Mount Brackets to studs** (fig. 1). Use an electronic stud finder to locate the centers of the studs, and draw light vertical lines. If you cannot mount to studs, Wall Anchors are provided.

2. With the horizontal rungs to the front, **position the Panel on the wall making sure it is centered between the studs and level. If mounting only one Panel, the bottom should be 3"-6" above desk surface. If mounting multiple Panels, the bottom of the lower Panel should be 1"-2" above desk surface.** When in the desired position, have someone hold the Panel in place. Using a Wall-Mount Bracket as a guide, **position it between the first and second rungs of the Panel** (fig. 2), center it over the "stud" lines, and mark the center of each hole. From fig. 1, **note that 15", 24", and 36" Panels use four Brackets, and 48" and 60" Panels use eight Brackets.**

Note: **If mounting multiple Panels, the bottom "hump" of the Wall-Mount Bracket goes over the top rung of the lower Panel, and the top "hump" goes over the bottom rung of the upper Panel** (fig. 3).

3. Using a 3/32" bit, **drill the holes.** Using a Phillips screwdriver, **tighten all of the Wall-Mount Brackets until snug. Do not over tighten as this may cause damage to the wall.** Installation is now complete.

Note: If you are not mounting the Brackets to studs, **use a 3/16" drill bit for installing the Wall Anchors.**

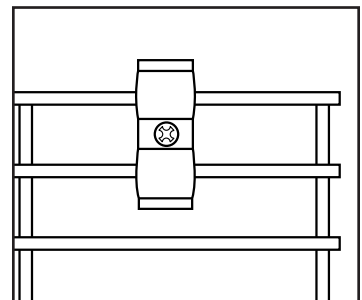


fig. 2

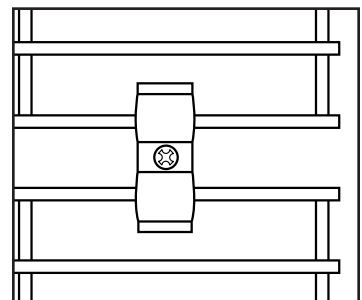


fig. 3

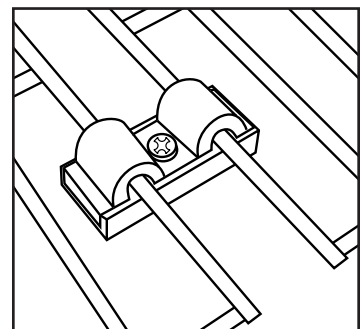


fig. 4

Mounting Walmaster Grid Panels on a Partition:

1. Purchase the appropriate size of Grid Panel Hooks (either 1", 2", or 3" wide) for your partition panel. Extra-Long, Adjustable Width Hooks are available for partition panels that are 5' tall. Ask for item #DEAH2.

2. Position the Hooks over the partition panels and hang the Grid Panels on the hooks. **For maximum stability, place the Hooks in the outermost columns of the Grid Panels.**

3. If mounting multiple panels, use the **Connecting Plates and Connecting Plate Screws in conjunction with the Wall-Mount Brackets as shown** (fig. 4).