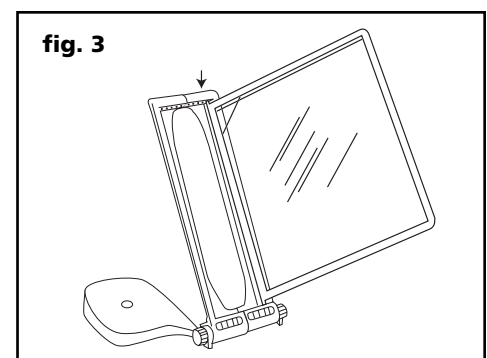
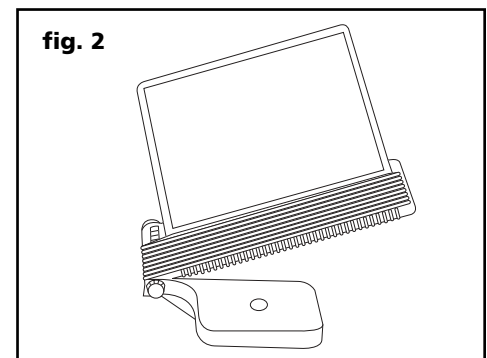
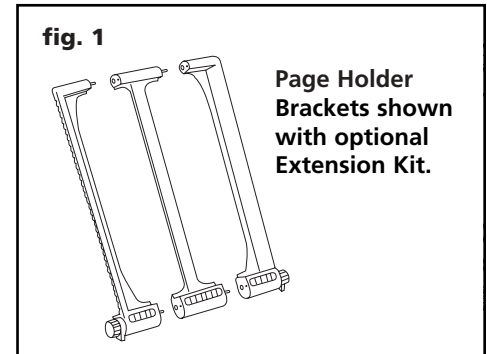
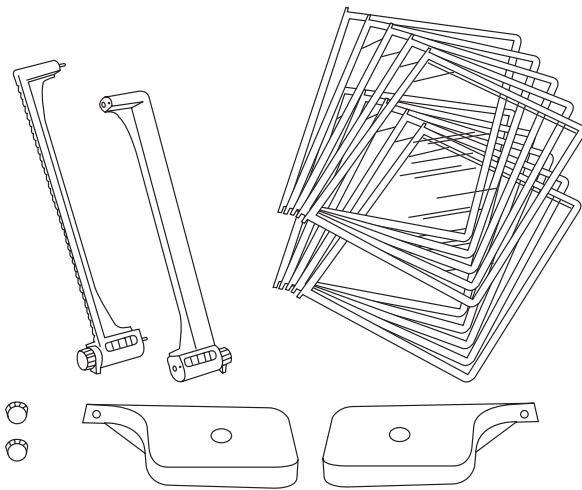


# Your **Kwik-View** Desktop Organizer assembles easily!

## **This package includes:**

- 1 pair of Weighted Base Pieces
- 1 pair Page Holder Brackets
- 2 Adjustment Knobs
- 10 assorted color Easy-Loading Pockets



## **Step 1**

Secure the right- and left-side Page Holder Brackets by pressing them firmly together. If you are using optional Extension Kits, separate the right- and left-side Brackets, align the Extension Brackets, and connect them all by pressing them firmly together (see fig. 1).

## **Step 2**

Using the adjustment Knobs, set the Page Holder Bracket to the desired angle and tighten Knobs securely (see fig. 2).

## **Step 3**

Insert the Easy-Loading pockets by flexing them slightly at the spine. Insert the pivots into the corresponding top and bottom holes. Insert up to two documents (back-to-back) into the Pockets making sure to tuck the corners of the sheet protectors under the triangular flaps. (see fig. 3).

**Suggestion: For even quicker implementation of your Organizer, we suggest the pre-arranging and loading of your documents into the Pockets, then inserting the Pockets into the Page Holder Brackets.**